

- Ultra compact signage player
- Fully qualified for 24/7 operation – designed for continuous use
- Intel® Atom™ Dual Core 1.66GHz processor
- Windows® Professional operating system, for easy network integration
- Environmentally friendly Ultra Low Power consumption
- ‘Boot on power up’ bios setting
- Wall/ceiling mount included
- SWEP software as standard



The SWEP-V is an ultra small signage player, of black moulded plastic construction and provided with a vesa cradle for ease of mounting. The use of an Intel dual core Atom processor and 160GB Sata hard drive gives plenty of processing power and storage for even the most demanding signage screen layouts.

With a single VGA output, the SWEP-V supports resolutions from 800x600 up to full 1920x1080, allowing the unit to connect to a wide range of electronic screens and extended VGA converters.

For high speed data transfer the SWEP-V features a gigabit Ethernet port as well as 6 USB 2.0 ports (4 on the rear and 2 on the front).

The SWEP-V can be purchased with a full license of ImageFlyer, for a complete out-of-the box signage solution, or on its own for customers with a Sedao digital signage site license, or those simply wishing to upgrade to the added functionality of the SWEP software.

Small, powerful and cost effective, the SWEP-V is an ideal player for multi-zoned digital signage where space and budget are limited.

Sedao's SWEP software turns any PC running ImageFlyer into an easy-to-administer digital signage intranet site.

Once installed, you can allocate a zone of your screen to a user who can be limited to only change that zone. The user cannot affect anyone else's messages and can be quickly trained to update their own messages, typically in under a minute.

In addition to simplifying the overall user experience of owning a signage system, the addition of SWEP's web server and database technology to a PC also allows added power user digital signage functions including:

Emergency Notifications

Single button click forces screens to display your own set of pre-created emergency or important messages. Ideal for fire drills, sales incentives, security alerts and more.



Instant Messaging

Edit a message and override your screens with your message. After the message screens go back to what they were playing before. Ideal for doctors surgeries patient call system, visitor announcements, factory floors information, manager to staff communications and more.



Advanced Presentation Scheduling

Create presentation groups to allow for group scheduling.

Play one screen layout for a few minutes then play a second, third, then fourth etc and loop back to the first.



Scheduling of System Commands

Shutdown players at night to save energy.

Configure triggering any of your own windows system commands. Trigger backups, batch files and more.



Direct Link to VNC Remote Desktop

Connect directly in to your players (running any VNC compatible client) to see what's on screen or even use your own mouse and keyboard to directly control your player.



SWEP-V Technical Specification			
Operating System:	Windows® Professional		
Main Board:	Intel® Atom™ Dual Core D510 1.66GHz CPU onboard Intel® NM10 Express Chipset Intel® GMA 3150 Graphic Engine		
Main Memory:	1GB DDR2 800 Mhz SO-DIMM		
I/O Interface-Front:	2 x USB2.0	1 x Mic-in	1 x Audio-out
I/O Interface-Rear:	19VDC Power in 1 x VGA 1 x RJ45 10/100/1000Mbps Ethernet	4 x USB 2.0 ports 1 x Audio-out	
Storage:	1 x SATA 160Gbyte HDD		
Dimensions:	172.5mm (W) x 153.5mm (D) x 20mm (H) (without mounting bracket)		
Power Input:	1 x External 40W AC/DC power adapter		
Environment:	Operating Temperature: 0°C to +40°C Storage Temperature: -20°C to +80°C Humidity: 10 to 90% (Non-condensing)		
Certification:	CE approval		
Extras:	Wall mounting bracket provided free of charge		

Connection Examples
Not to scale



Single Screen Setup
achievable straight out the box

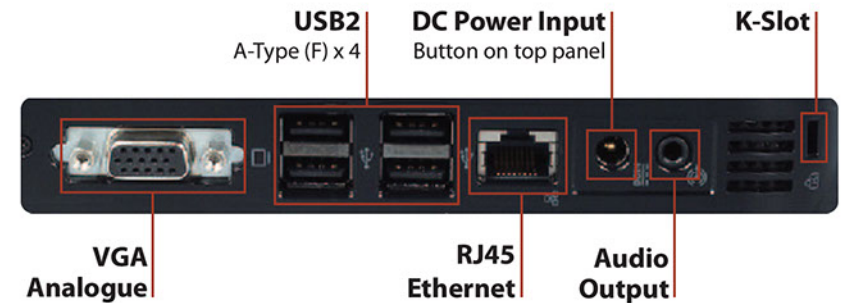


Five Screen Setup
additional Xtender 4 port kit required

Front connections
located under front flap



Rear connections



Options

The SWEP-V is provided as standard, with an installed suite of Sedao software these applications can be extended by using our unlimited site licensing system. For single player operation the SWEP-V can be supplied with fully licensed software.

Part Codes (without ImageFlyer)	Part Codes (with ImageFlyer)
SWEP-V	SWEP-V-IF

Sedao reserves the right to make changes at any time in order to improve design and to supply the best product possible